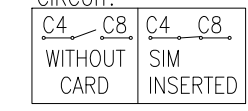
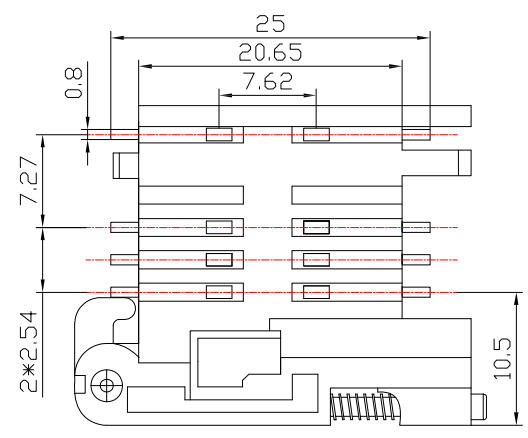
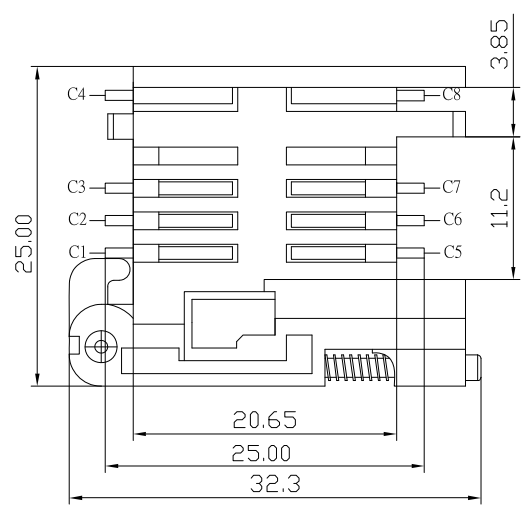


PCB LAYOYT

CIRCUIT:



PIN NO.	PIN NAME
C1	Supply Voltage Vcc
C2	Reset (RST)
C3	Clock (CLK)
C4	N/A
C5	Ground
C6	Programming Voltage Vpp
C7	I/O
C8	N/A



SPECIFICATION

Electrical :

- 1.Contact Resistance: 100 mΩ Max.
- 2.Insulation Resistance: 1000 MΩ Min.

Environmental:

- 1.Operating Temperature: -40°C ~ +85°C.

Material:

- 1.Housing: LCP
- 2.Contact: Phosphor Bronze

Finish:

- 1.Contact: Plated Gold in Mating Area ;
Tin Plated on Solder Balls ;
Nickel under plated overall



TOLERANCE UNLESS OTHERWISE STATED :	Up to 5 ±0.2	3RD. ANGEL'S	UNITS	MM
	Above 5 ~ 15 ±0.3			
	Above 15 ~ 30 ±0.4			
	Above 30 ~ 50 ±0.5			
	Angle ±0.3			

DRAWN BY:	DATE	MAT'L	TITLE	CONNECTOR
Jack Lu	02/24/20			
CHECKED BY:	DATE	FINISH	MODLE	SIM CARD 推棒式(6P+2P)
Jacky Chen	02/24/20			
APPROVED BY:	DATE	SCALE	DWG NO.	SIM-08300-S304
Tony Kao	02/24/20	1 : 1		
		SHEET NO.	PART NO.	SIM-08300-S304
		1 of 1		
				SIZE A4
				VER R

ITEM NO.	DESCRIPTION	DRAWN	DATE